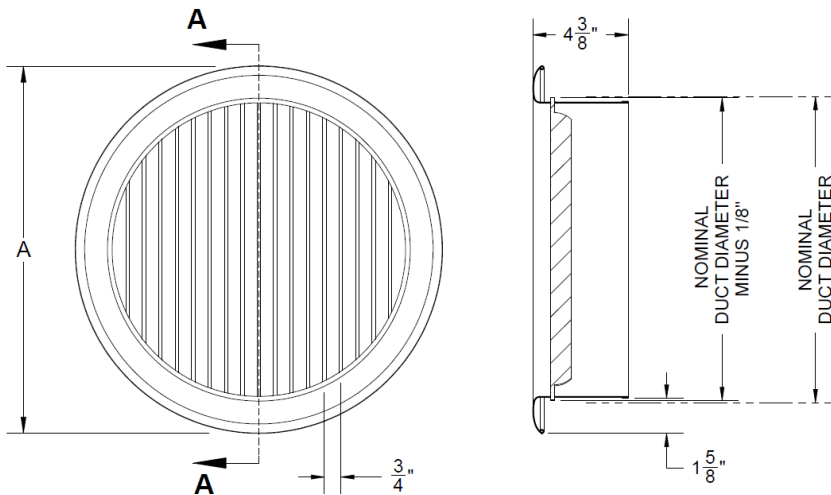


## Louvered Supply Grille, Round Single or Double Deflection • Optional Damper • Aluminum

Models: R-301F • Single Deflection •  $\frac{3}{4}$ " Blade Spacing  
R-300F • Double Deflection •  $\frac{3}{4}$ " Blade Spacing

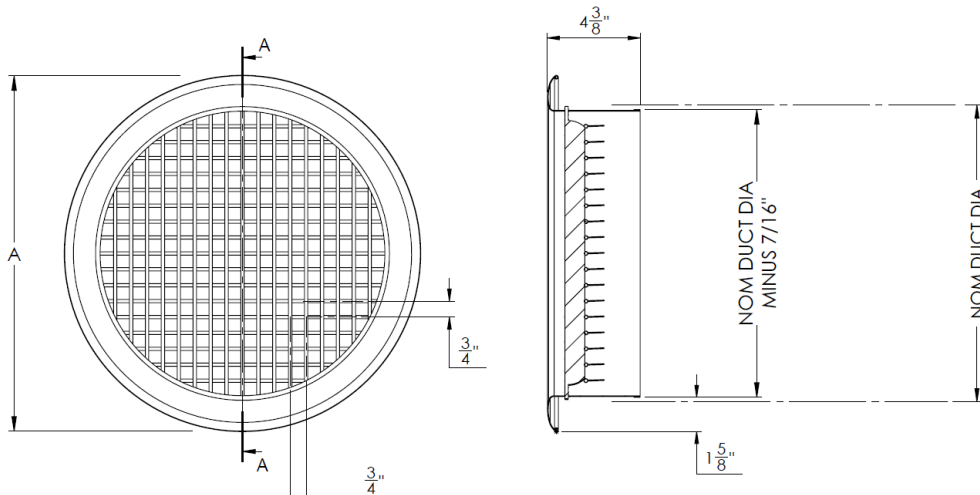
Single Deflection Models: R-301F



**SECTION A-A**

Nominal Duct Diameter	A
6	8 7/8"
8	10 7/16"
10	12 11/16"
12	14 15/16"
14	16 7/8"
16	18 7/8"
18	20 11/16"
20	22 13/16"

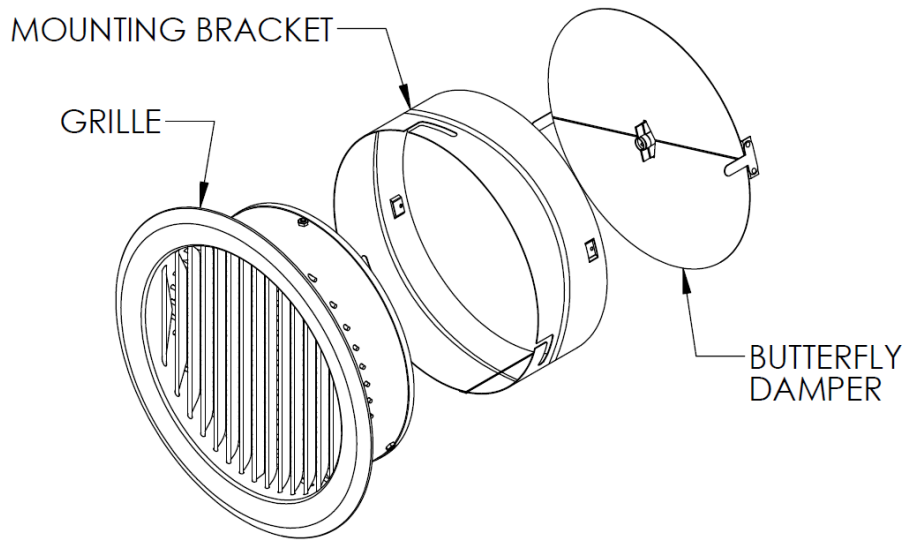
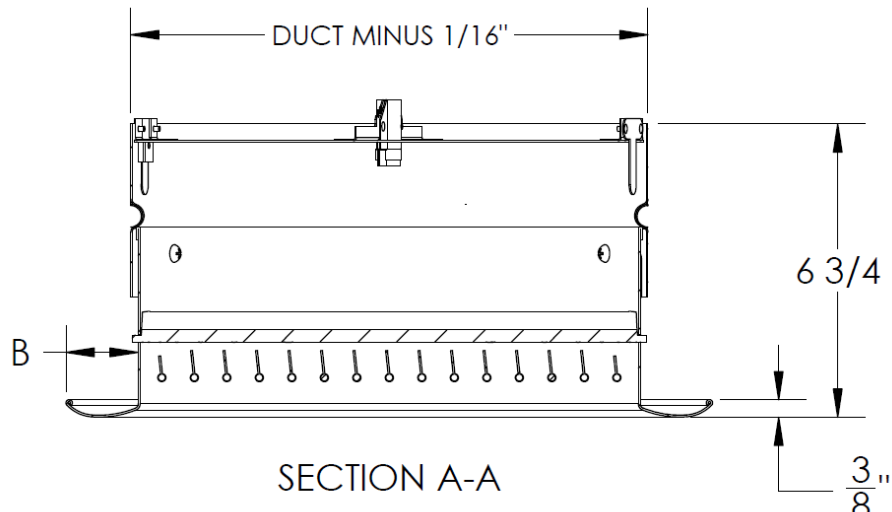
Double Deflection Model: R-300F



**SECTION A-A**

Nominal Duct Diameter	A
6	8 7/8"
8	10 7/16"
10	12 11/16"
12	14 15/16"
14	16 7/8"
16	18 7/8"
18	20 11/16"
20	22 13/16"

## Damper Option



- Damper must be ordered with mounting bracket
- Damper not available in size 18 and 20

**Standard Finish:** #26 White  
 #84 Black (Optional)  
 #04 Mill (Optional)

## General Description

- Grilles can be surface mounted or duct mounted. Mounting bracket is installed and grille is inserted and rotated for quick mounting.
- Available with single or double deflection; adjustable louvers.
- Front louvers available in vertical or horizontal.
- All-aluminum construction available in duct diameters from 6" thru 20" in even increments.
- Optional Mounting Bracket and Damper available.

This submittal is meant to demonstrate general dimensions of this product. The drawings are not meant to detail every aspect of the product. Drawings are not to scale. Titus reserves the right to make changes without written notice.

All rights reserved. No part of this work may be reproduced or transmitted in any form or by any means, electronic or mechanical, including photocopying and recording, or by any information storage retrieval system without permission in writing from Air Distribution Technologies.