

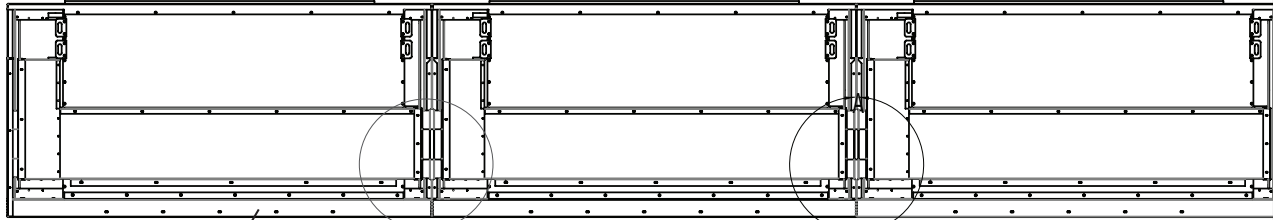
TAO

Multiple Units Connected in Parallel

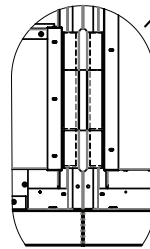
Right hand unit with oval air inlet connection and outlet side open

Right hand unit with oval air inlet connection and outlet side open

Right hand unit with oval air inlet connection and outlet side closed



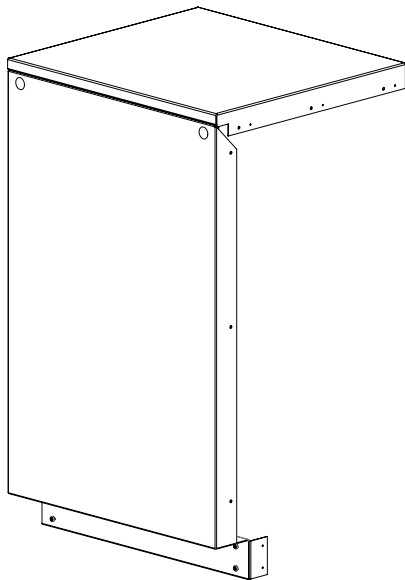
Floor mounting bracket by others



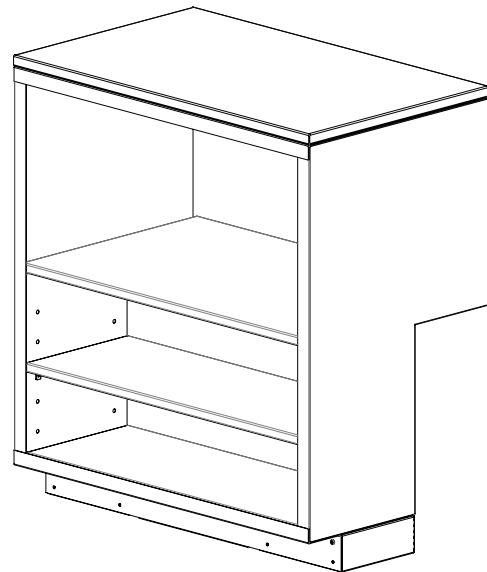
Field installed 8" oval duct coupling (optional)

Units viewed from the back showing interconnection between units

Filler Panel with Bookshelf Details / Utility Cabinet & Duct Cover



Filler panel (optional)



Bookshelf (optional)