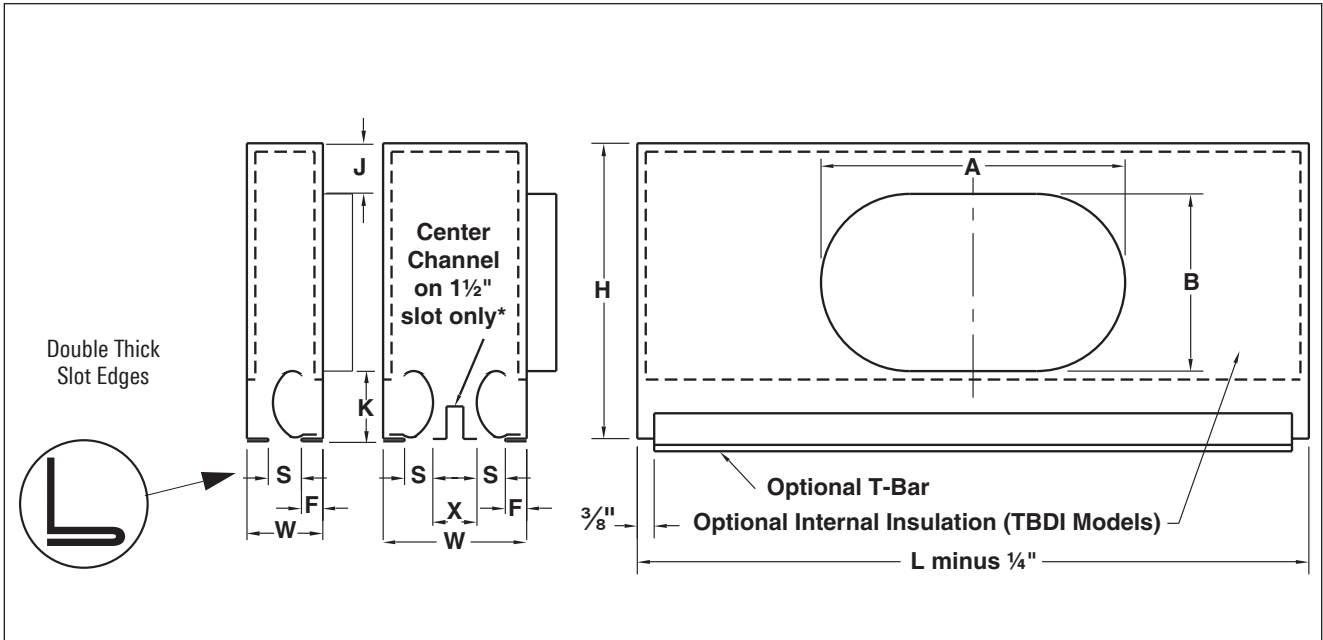


TBD-10 UNIT DIMENSIONS



Number of Slots	Slot Width S	F	W	X
1	1"	1/2"	2"	-
	1 1/2"	1/2"	2 1/2"	-
2	1"	1/2"	4"	1"
	1 1/2"	1/2"	5 1/4"	1 1/4"

Standard Inlet Size	A	B
6 Oval	6 1/4"	5 1/4"
8 Oval	9"	5 1/4"
10 Oval	12 1/2"	5 1/4"
12 Oval	15"	5 1/4"
No Inlet	-	-

Nominal Length L	Standard Inlet Sizes
24	6, 8, 10
36	6, 8, 10
48	6, 8, 10, 12
60	6, 8, 10, 12

(in.)	LP	HP
H	8"	11"
J	1/2"	2"
K	2 1/4"	3 3/4"

Note:

1. In TBD-10 2-slot models, the slots must be separated by a center T-bar furnished either by Titus or by others
2. Diffusers with 12" inlets are 11" high instead of 8"