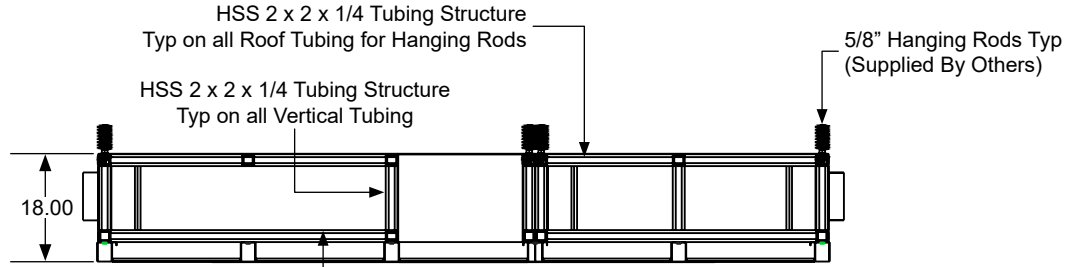


**NEXUS OR SUITE**

Operating Room Equipment System Non-Structural w/LED Lighting

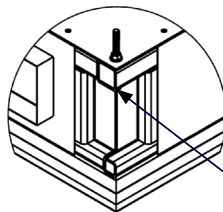
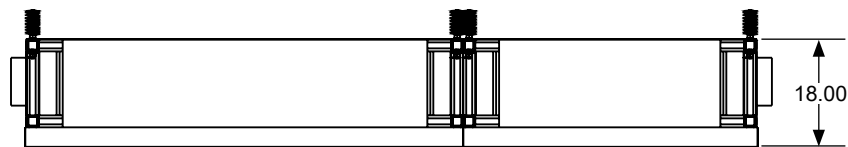
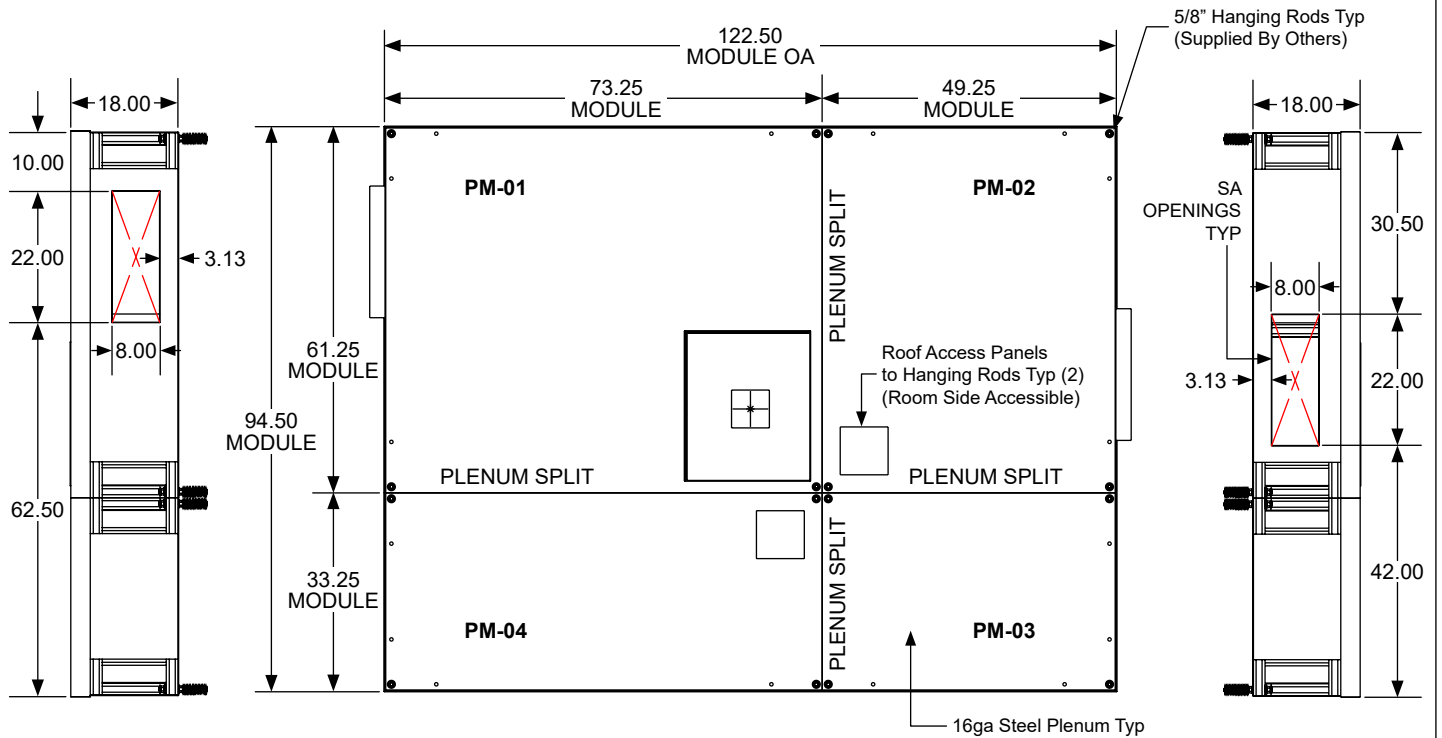




HSS 2 x 2 x 1/4 Tubing Structure  
Typ on all Grid Support Tubing

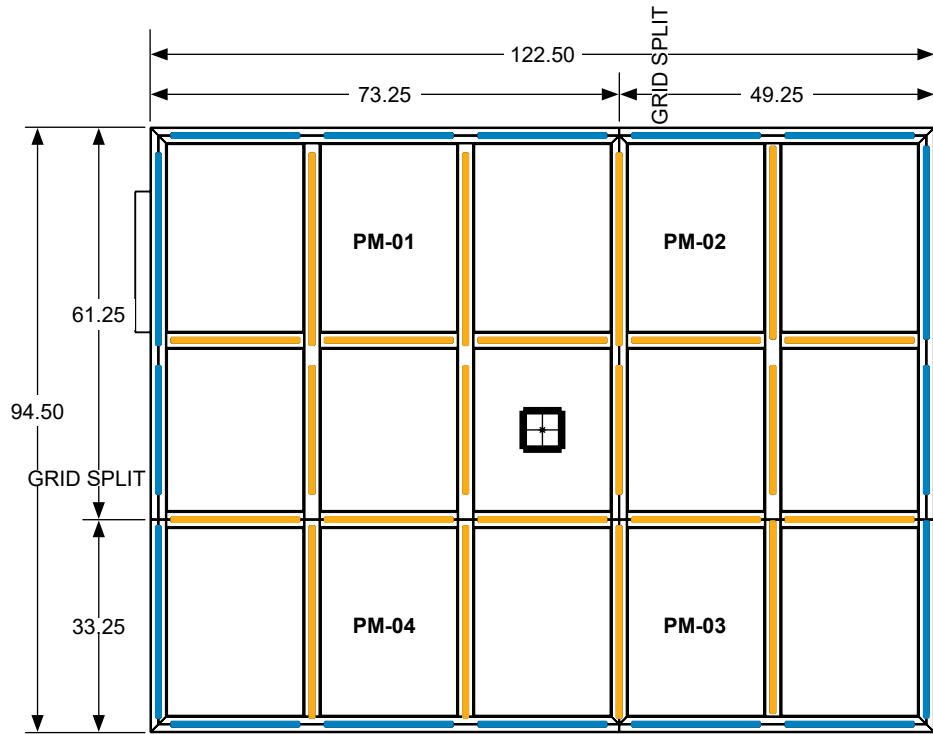
**SECTION A-A**

APPROX. WEIGHT OF SYSTEM IS 1,795 LBS.



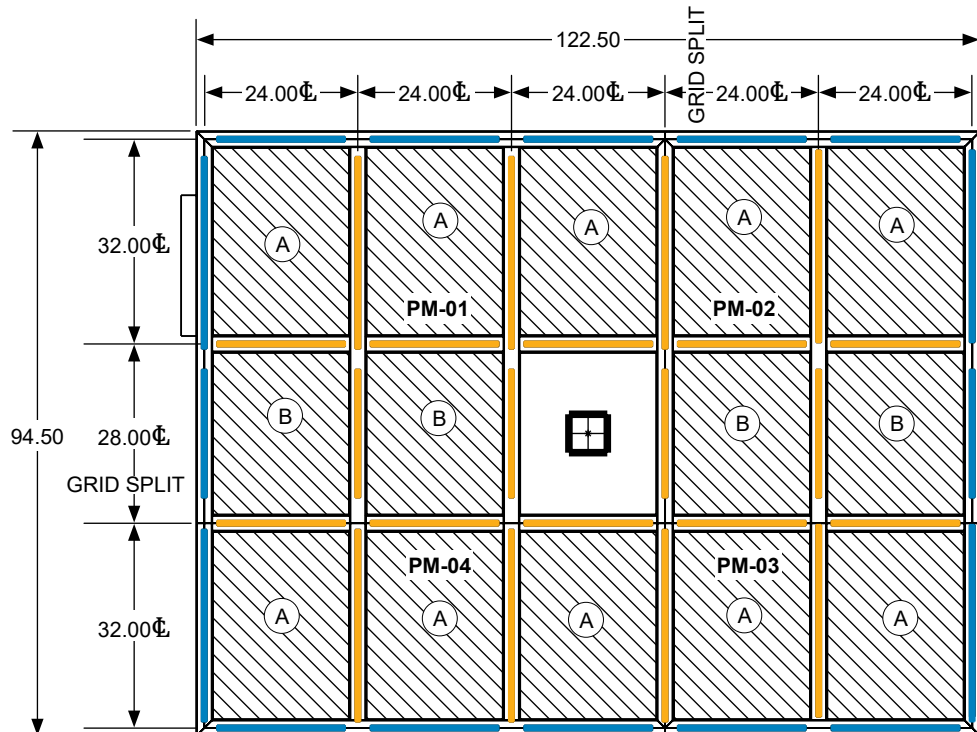
Open Access at All Outer Corners  
and Outer Section Splits to Hanging  
Rods for Ease of Installing

**HANGING ROD ACCESS DETAIL**  
(ALL OUTSIDE CORNERS AND OUTSIDE PLENUM SPLITS)



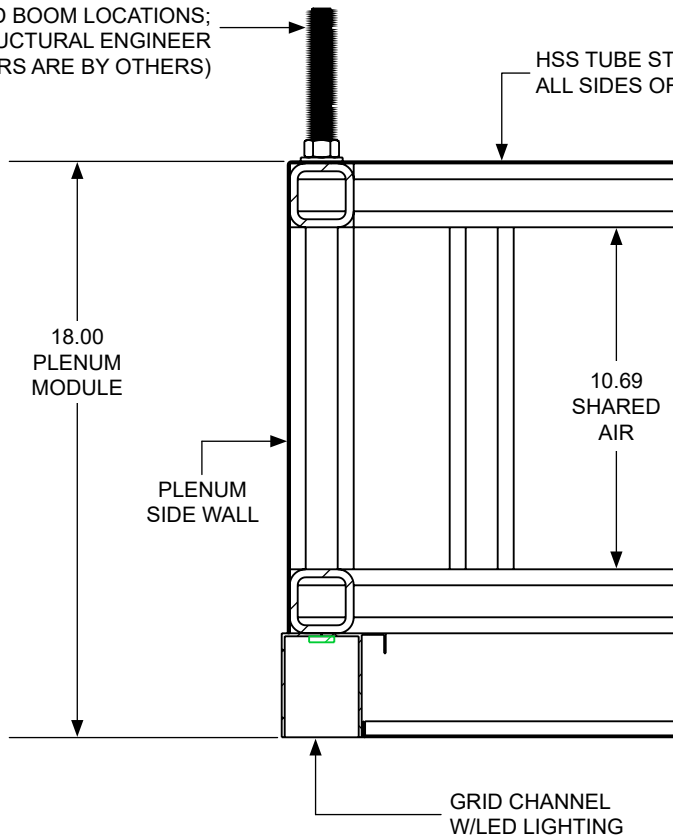
ALL PERIMETER LED LIGHTS ARE GREEN AND WHITE  
 ALL INTERIOR LED LIGHTS ARE WHITE

WHITE LEDS - DIMMABLE - TUNABLE FROM 2700-6500K █ (A) 32 X 24 DAMPER LOCATION  
 GREEN LEDS - DIMMABLE - 525nm █ (B) 28 X 24 DAMPER LOCATION



PLENUM SUSPENSION HARDWARE AT CORNER,  
MID SPANS AND BOOM LOCATIONS;  
AS REQUIRED BY STRUCTURAL ENGINEER  
(THREADED RODS OR ANCHORS ARE BY OTHERS)

HSS TUBE STEEL FRAMING ON  
ALL SIDES OF PLENUM INTERIOR



18.00  
PLENUM  
MODULE

PLENUM  
SIDE WALL

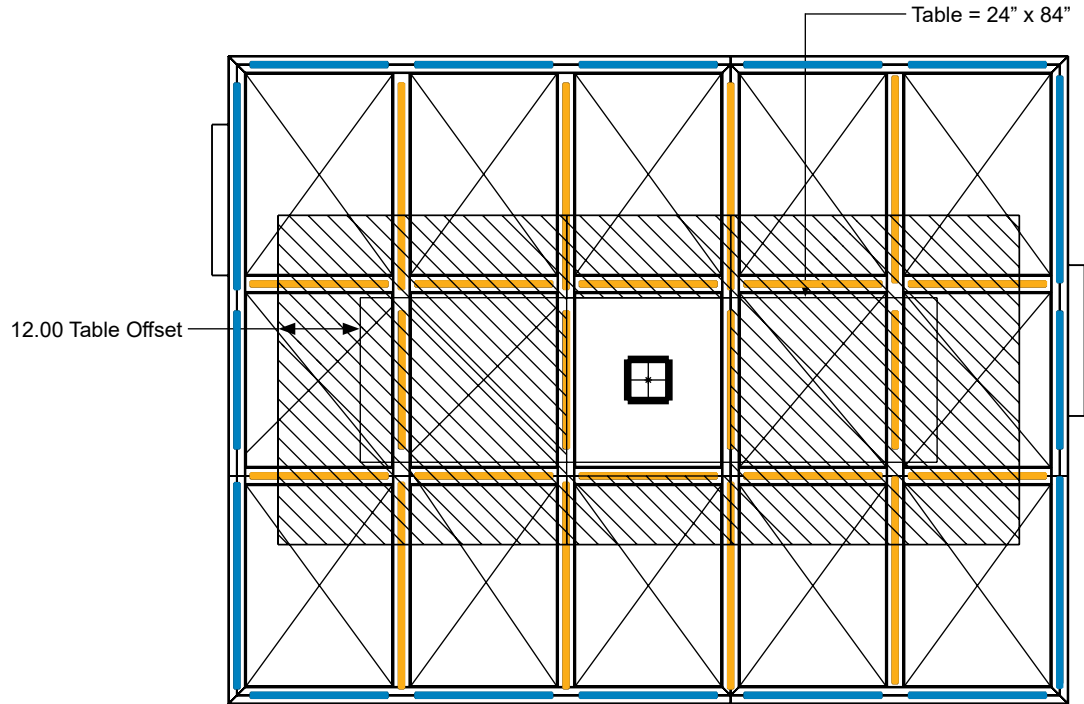
10.69  
SHARED  
AIR

GRID CHANNEL  
W/LED LIGHTING

**ASHRAE 170-2021 CRITERIA**



Coverage area of the primary supply diffuser array shall extend a minimum of 12" beyond the foot print of the surgical table on each side. >70% of this area shall be within the primary diffuser supply area.

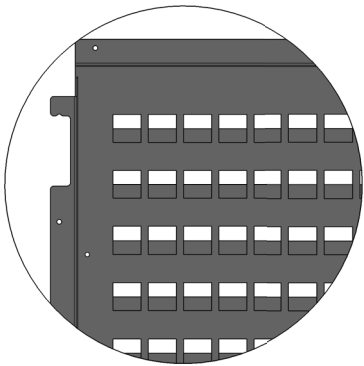
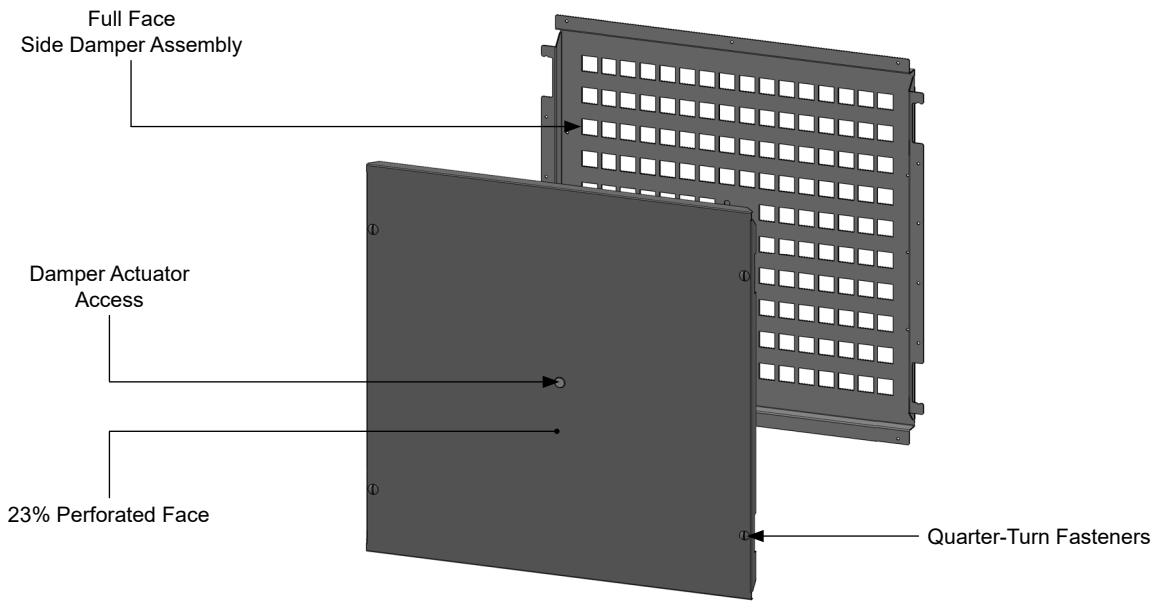


ROOM 1 SYSTEM DESIGN SPEC	
ROOM SQ. FT	512
CEILING HT.	9'- 0"
ACH	24.74
VELOCITY	27.92
DIFFUSER FA	72
CFM	2010

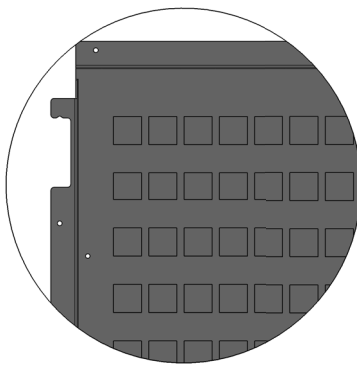
ROOM 2 SYSTEM DESIGN SPEC	
ROOM SQ. FT	512
CEILING HT.	9'- 0"
ACH	24.74
VELOCITY	31.32
DIFFUSER FA	72
CFM	2255

AVG ROOM SYSTEM RANGE		
CFM: 1700	CFM: 2040	CFM: 2380
VELOCITY: 25 FPM	VELOCITY: 30 FPM	VELOCITY: 35 FPM
DIFFUSER FA: 68 SF	DIFFUSER FA: 68 SF	DIFFUSER FA: 68 SF
ACH: 22.14	ACH: 26.56	ACH: 30.99

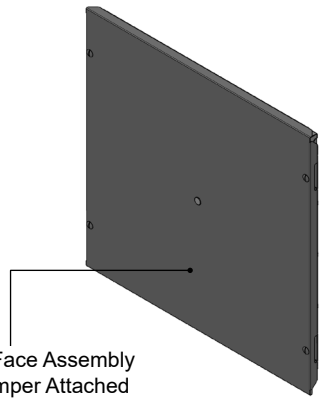
Table w/Offset = 36 SQ FT (100%)  
 Diffuser Area of Table = 31.33 SQ FT (87.03%)



50% Open Damper

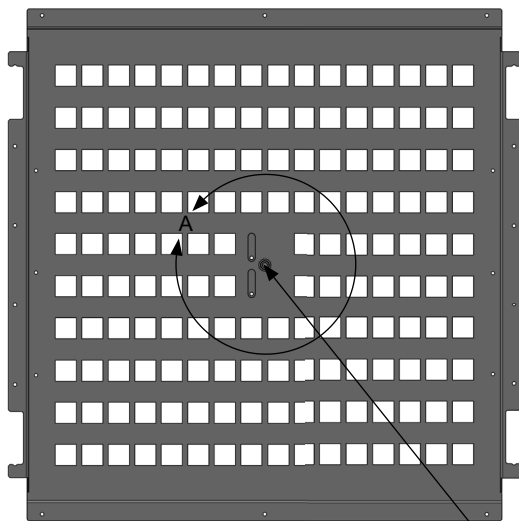


Fully Closed Damper

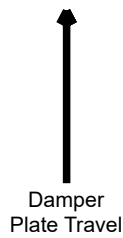


Perforated Face Assembly w/Side Damper Attached

Width & Height Varies by Job Size Requirements

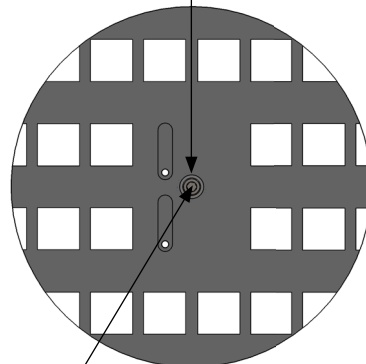


Fully Open Damper (2 Plate Damper)



Damper Plate Travel

3/16" Hex Key Operator (Hex Key Not Provided)



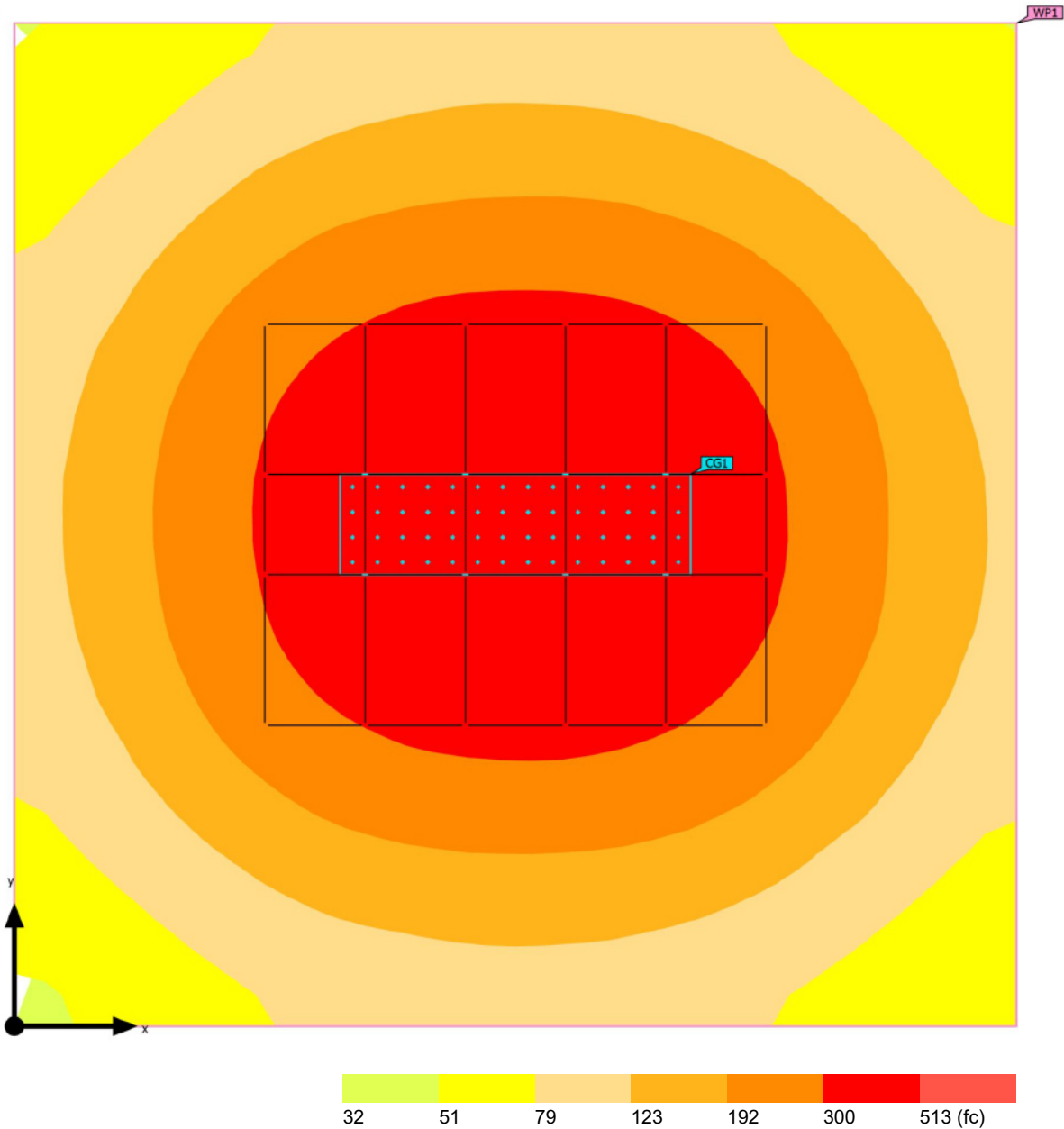
DETAIL A SCALE 1 : 4

Damper Actuator

Material and Finish Determined by Job Requirements

Building 1. Storey 1. Room 1 (Light scene 4 (Room 1))

### Calculation Objects



#### Working Planes

Properties	$\bar{E}$ (Target)	$E_{min}$	$E_{max}$	$U_o (g_1)$ (Target)	$g_2$	Index
Working plane (Room 1)	193 fc	47.2 fc	467 fc	0.24	0.10	WP1
Perpendicular illuminance (adaptive)	( $\geq 92.9$ fc)			( $\geq 0.60$ )		
Height: 3.000 ft, Wall zone: 0.000 ft	✓			✗		

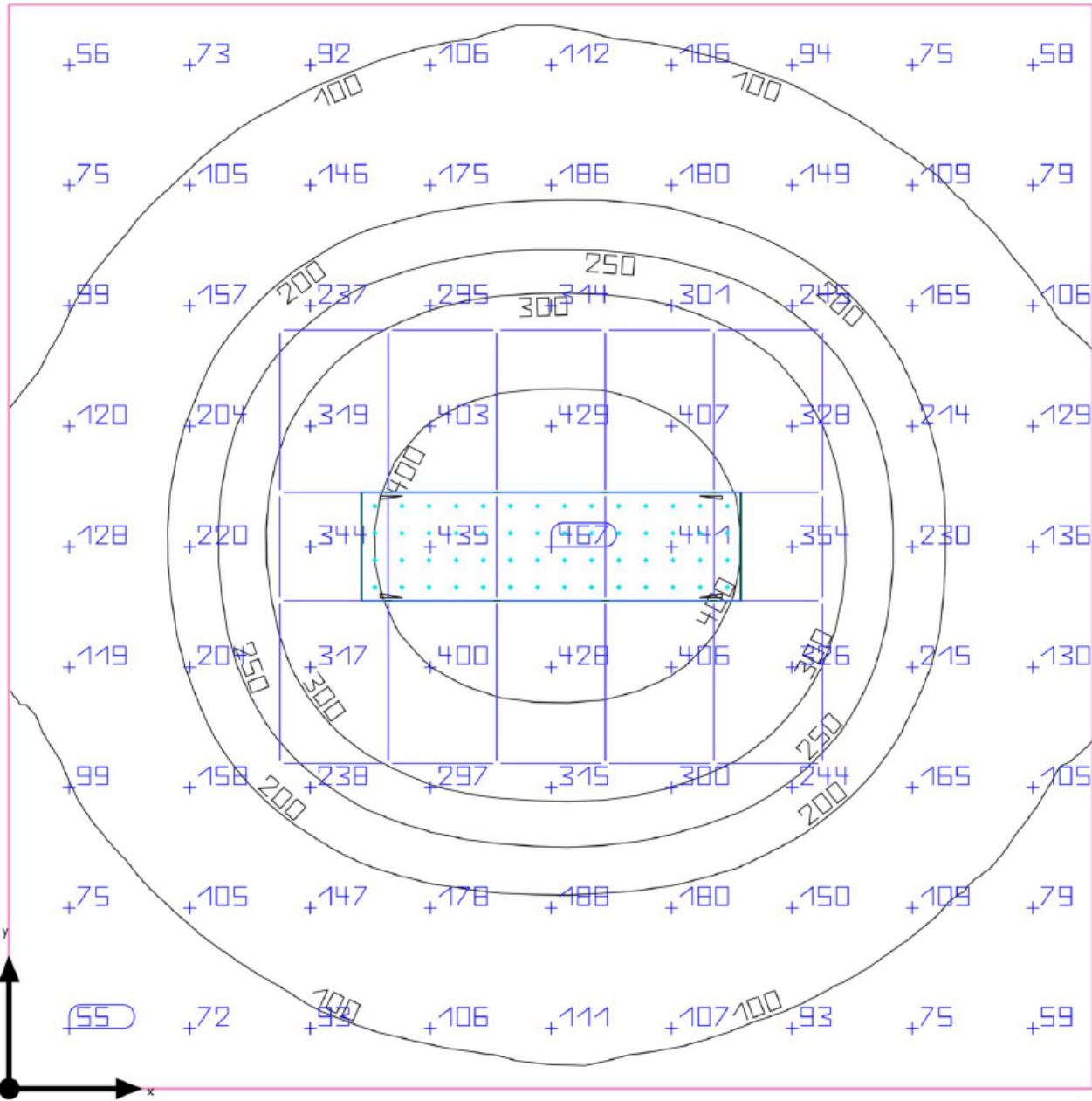
#### Calculation Surfaces

Properties	$\bar{E}$	$E_{min}$	$E_{max}$	$U_o (g_1)$	$g_2$	Index
OR Table Perpendicular illuminance Height: 3.000 ft	442 fc	398 fc	467 fc	0.90	0.85	CG1

Utilisation profile: Health care premises - Operating areas (5.46.2 Operating theatres)

Building 1. Storey 1. Room 1 (Light scene 4 (Room 1))

### Summary



<b>Ground area</b>	400.01 sq ft
<b>Reflection factors</b>	Ceiling: 70.0 %, Walls: 50.0 %, Floor: 44.2 %
<b>Maintenance factor</b>	0.80 (fixed)

<b>Clearance height</b>	10.000 ft
<b>Mounting height</b>	8.500 ft - 10.000 ft
<b>Height Working plane</b>	3.000 ft
<b>Wall zone Working plane</b>	0.000 ft

This Submittal is meant to demonstrate general dimensions and information of this product. The drawings are not meant to detail every aspect of the product. Drawings are not to scale. Titus reserves the right to make changes without written notice.

All rights reserved. No part of this work may be reproduced or transmitted in any form or by any means, electronic or mechanical, including photocopying and recording, or by any information storage retrieval system without permission in writing from Air Distribution Technologies.