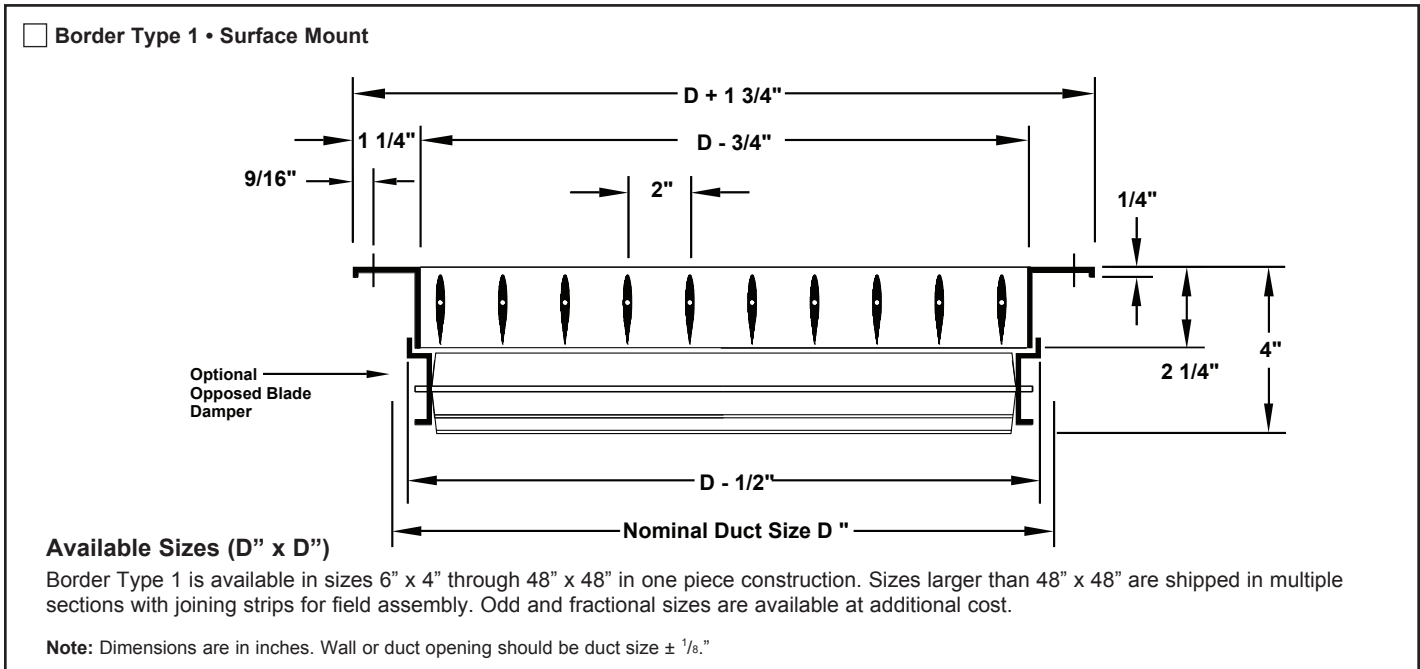
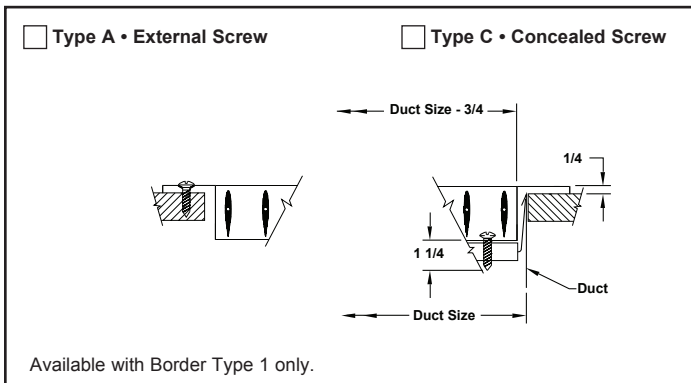


# Louvered Supply Grilles and Registers • Aero-Blade Series Steel Border • Aluminum Airfoil Blades

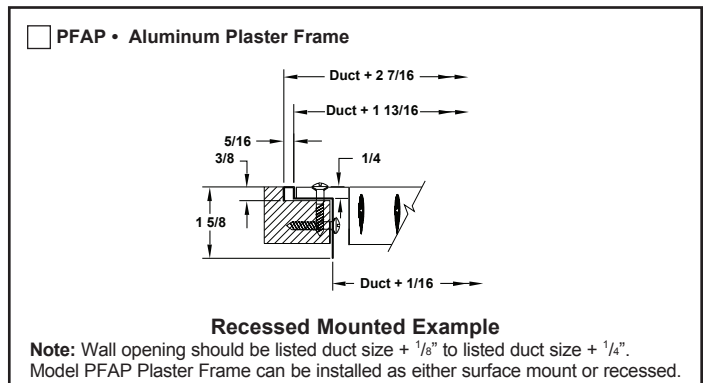
Models:  121RL • Single Deflection • Long Blades • 2" Blade Spacing  
 121RS • Single Deflection • Short Blades • 2" Blade Spacing



## Fastenings



## Mounting Frames



## Accessories (Optional)

Check  if provided

- Opposed blade damper (galvanized steel)
- IS • Insect Screen (1/16" square mesh – galvanized steel)
- DS • Debris Screen (1/4" square mesh – galvanized steel)
- EQT • Earthquake Tabs
- Other: \_\_\_\_\_

## Standard Finish: #26 White

Other Finish: \_\_\_\_\_

## General Description

- Aerodynamically shaped blades are individually adjustable.
- Material is 20 gauge steel for border and heavy extruded aluminum for blades.
- All dimensions are  $\pm 1/16$ ".
- Optional opposed blade damper has screw-driver adjustment accessible through face of register.
- #8 x 1 1/4" lg. Phillip's flat head sheet metal screws painted white.



Note: This submittal is meant to demonstrate general dimensions of this product. The drawings on this submittal are not meant to detail every aspect of the product with exactness. Drawings are not to scale. TITUS reserves the right to make changes without written notice.  
 605 Shiloh Road • Plano, Texas 75074 • 972-212-4800

ABG-7.0-S