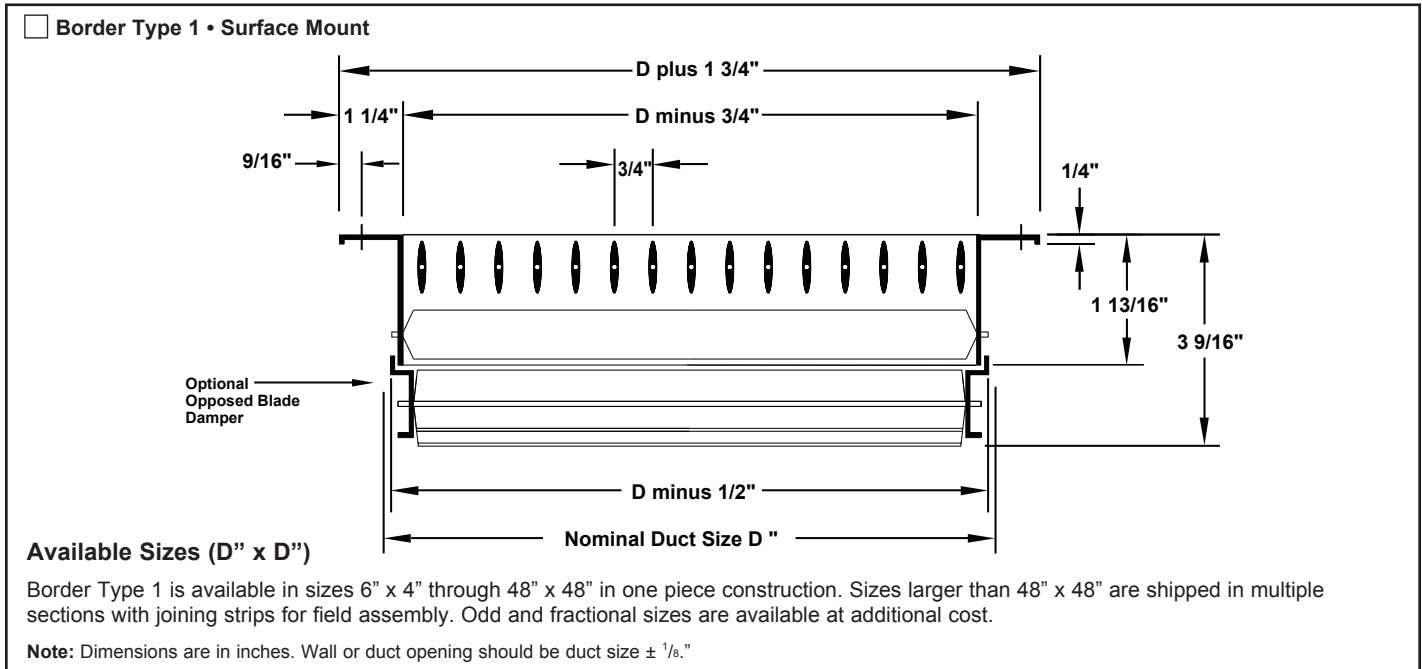


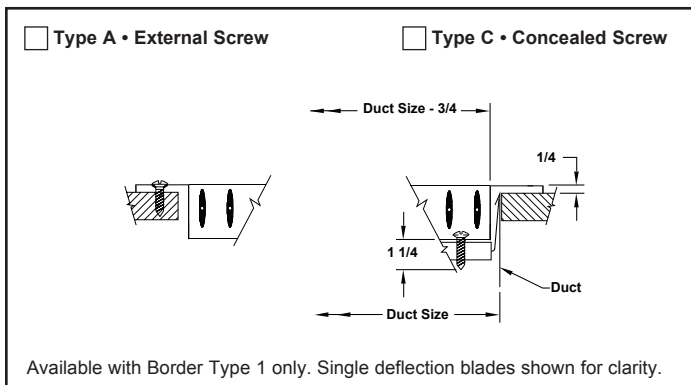
Louvered Supply Grilles and Registers • Aero-Blade Series Steel Border • Aluminum Airfoil Blades

Models: 272RL • Double Deflection • Long Front Blades • $\frac{3}{4}$ " Blade Spacing

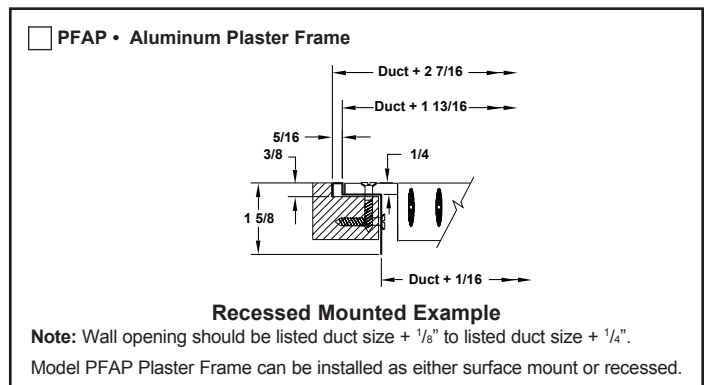
272RS • Double Deflection • Short Front Blades • $\frac{3}{4}$ " Blade Spacing



Fastenings



Mounting Frames



Accessories (Optional)

Check if provided

Opposed blade damper (galvanized steel)

EQT • Earthquake Tabs

Other: _____

IS • Insect Screen ($\frac{1}{16}$ " square mesh – galvanized steel)

DS • Debris Screen ($\frac{1}{4}$ " square mesh – galvanized steel)

Standard Finish: #26 White

Other Finish: _____

General Description

• Aerodynamically shaped blades are individually adjustable.

• Optional opposed blade damper has screw-driver adjustment accessible through face of register.

• Material is 20 gauge steel for border and heavy extruded aluminum for blades.

• #8 x $1\frac{1}{4}$ " lg. Phillip's flat head sheet metal screws painted white.

• All dimensions are $\pm \frac{1}{16}$ ".