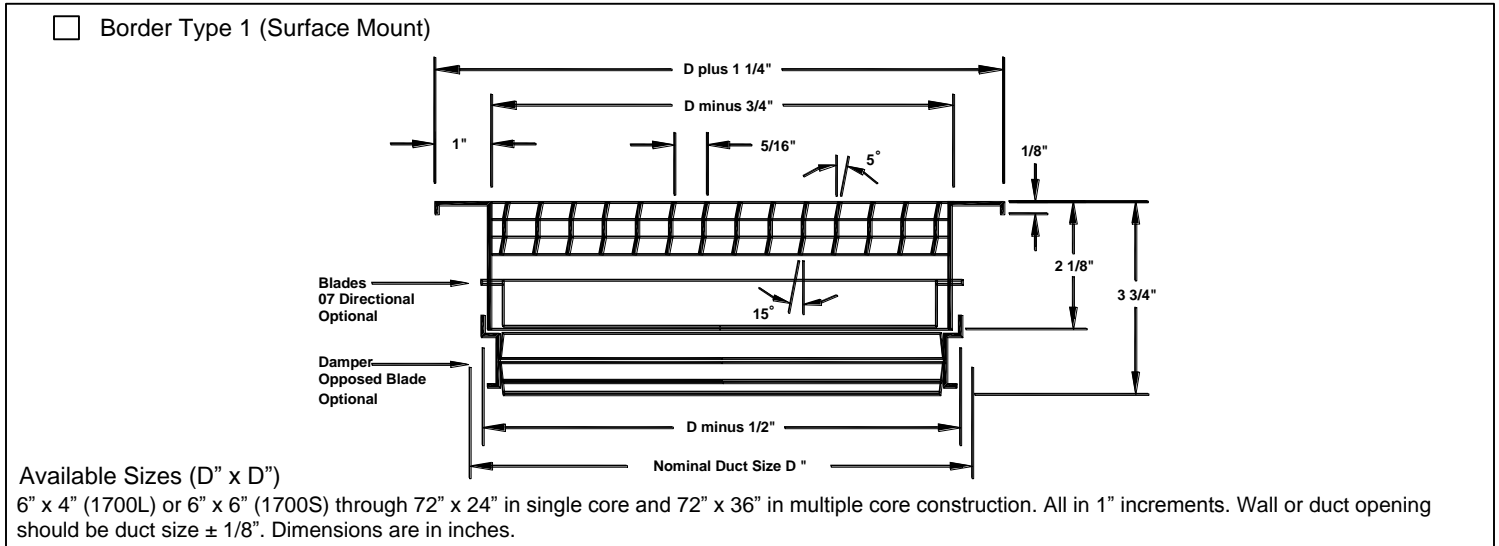
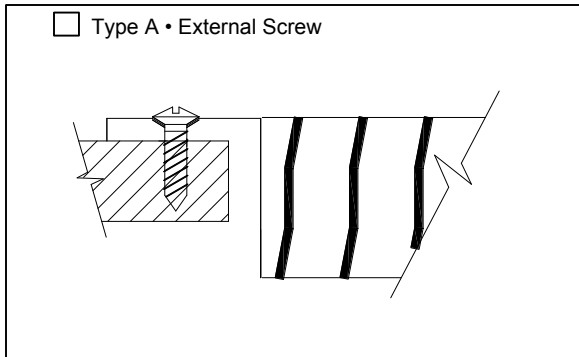


## Narrow Blade Grilles • Reversible Core • Fixed Blades Aluminum • 15° Up, 15° Down, 5° Up or 5° Down Deflection (Field Adjustable)

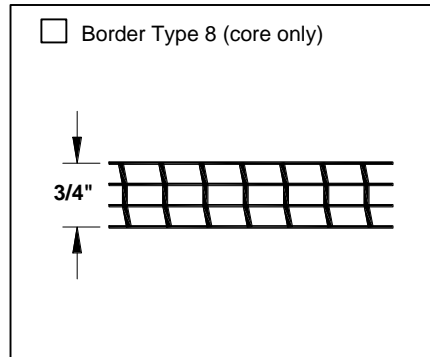
Models: 1700-L • Long Blades  
1700-S • Short Blades



### Fastenings



### Border Types Available



Accessories (Optional) Check  if provided.

Standard Finish: #26 White

Opposed Blade Damper • Aluminum

Other Finish: \_\_\_\_\_

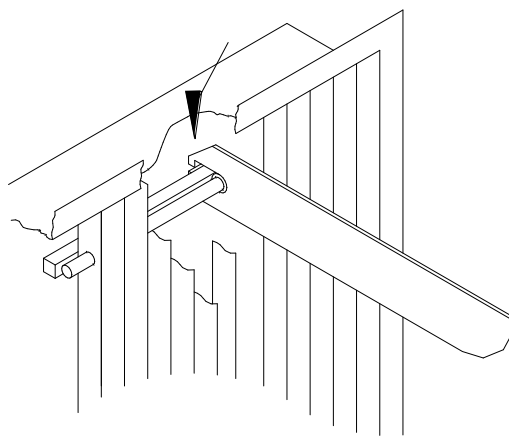
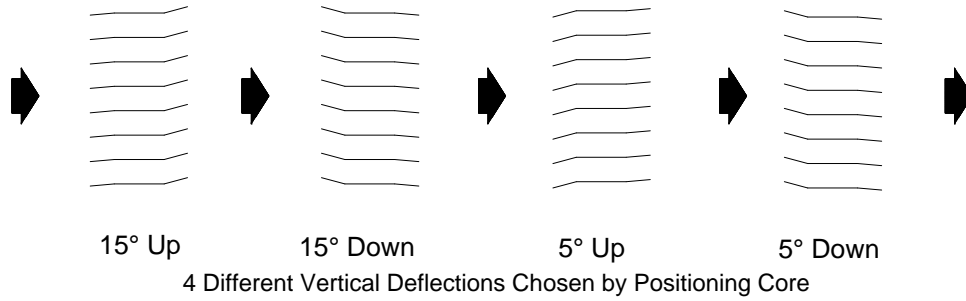
Opposed Blade Damper • Galvanized Steel

Model 07 Directional Blades

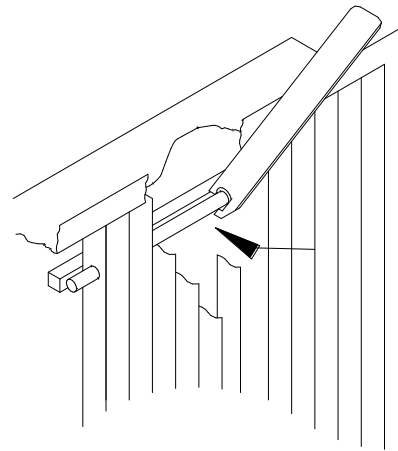
### General Description

- With its deep, rigid aluminum blades and carefully contoured aluminum border, the TITUS 1700 Series offers a look of refinement backed with strength, versatility and superb performance.
- Core is easily removed with one pull on the detachable operating lever.
- Extreme flexibility in adjusting air flow patterns. The fixed blade core can be lifted out, then rotated or reversed, to give 4 different vertical deflection angles. In addition, the optional Model 07 back blades can be adjusted individually for various horizontal deflection angles.
- 5/32" mounting holes are concealed inside the border, accessible by removing the core.
- Material is extruded aluminum.

## Core Positioning



To remove core, insert operating lever through blades and carefully contoured aluminum border.



To replace core, insert operating lever through blades hook over mullion and push downward on lever.