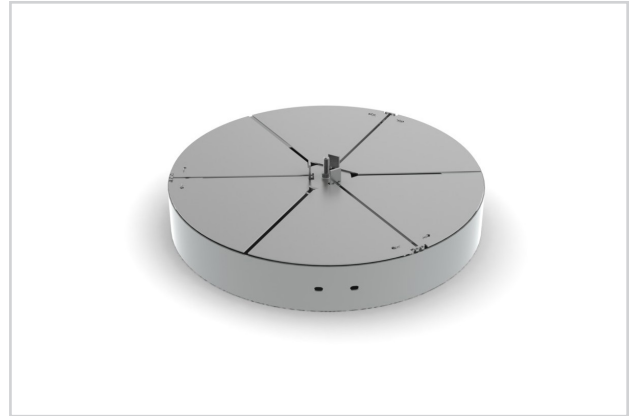


## AG-75

- Gang operated opposed blades (three sets on sizes 6 through 12 inches, four sets on 14 through 20 inches and six sets on 24 through 36 inches). Can be mounted directly into hard duct above diffuser neck. The damper can be easily adjusted from the face side of the diffuser.
- Not recommended for use with flexible duct
- Steel material



AG-75



air balancing



See website for Specifications

### MODEL:

AG-75

### FINISH:

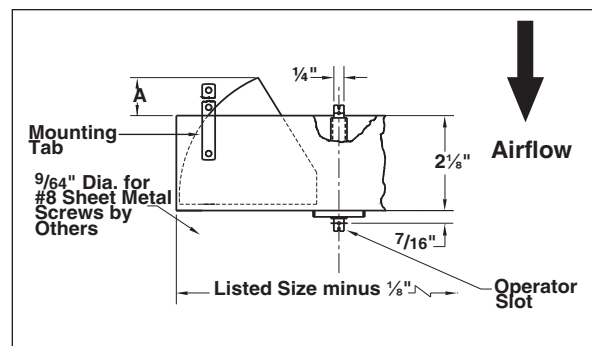
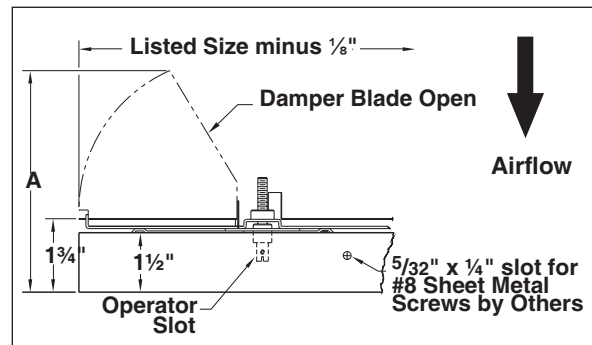
Standard Finish - #84 Black

### OVERVIEW

#### Opposed Blade

Effective air balancing begins with the balancing provisions that are designed into the HVAC system. Titus balancing devices are easy to select and specify. They are designed for quick access and adjustment and are engineered for the least possible noise, turbulence and air resistance. Titus makes available published flow factors for all Titus diffusers. This allows precision balancing to be performed in the field with accuracy based on prior test results.

Note: The photograph represents sizes 14" and larger



Nominal Size	A
6	4 <sup>1</sup> / <sub>8</sub>
7	4 <sup>1</sup> / <sub>2</sub>
8	5
10	5 <sup>7</sup> / <sub>8</sub>
12	6 <sup>3</sup> / <sub>4</sub>

Nominal Size	A
14	3
15	3 <sup>1</sup> / <sub>4</sub>
16	3 <sup>5</sup> / <sub>8</sub>
18	4 <sup>3</sup> / <sub>8</sub>

Nominal Size	A
20	5
24	3 <sup>7</sup> / <sub>8</sub>
30	5 <sup>3</sup> / <sub>8</sub>
36	7