

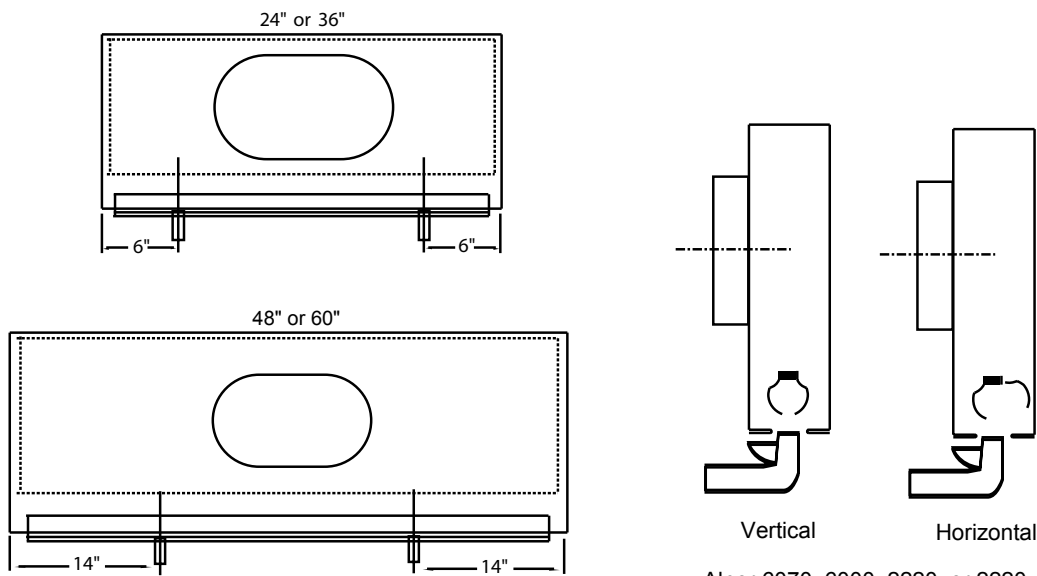
Models: TBD-30 or TBDI-30

Airflow Measurements Procedure

1. Place the probe at the locations as indicated in each slot.
2. Record and average these velocity readings.
3. Calculate airflow using the flow rate equation.

Flow Rate: CFM = Factor x Average Velocity (FPM)

Note: Select and use the applicable factor from the table provided.



Alnor 6070, 6000, 2220, or 2220-A

TBD-30 and TBDI-30 Air Flow Factors

Model	Nominal Length (inches)	One-slot Horizontal or Vertical	Two-slot Horizontal or Vertical
TBD-30 or	24	0.06	0.09
	36	0.08	0.13
TBDI-30 1/2-inch	48	0.11	0.18
	60	0.14	0.22
TBD-30 or	24	0.08	0.17
	36	0.12	0.20
TBDI-30 3/4-inch	48	0.17	0.22
	60	0.21	0.34
TBD-30 or	24	0.11	0.17
	36	0.16	0.26
TBDI-30 1-inch	48	0.22	0.36
	60	0.28	0.45