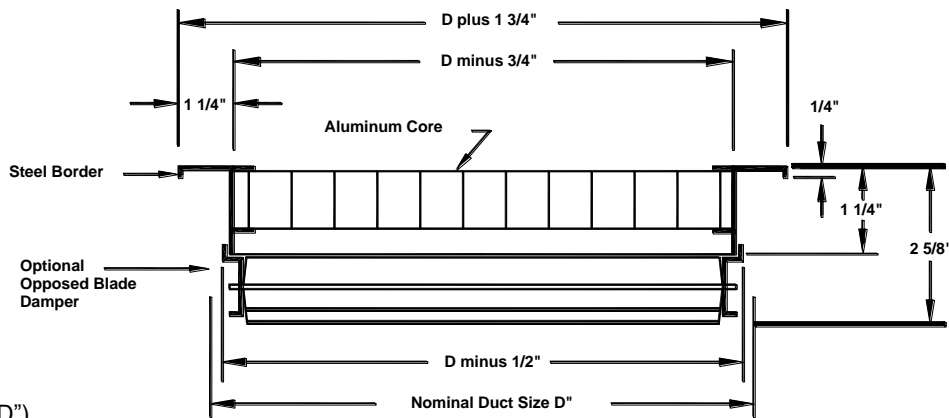


50R • Code A • Aluminum Grid • 1/2 x 1/2 x 1/2 • Steel Border

Eggcrate Return Grilles • Aluminum Grid • Steel Border

Border Type 1 (Surface Mount)



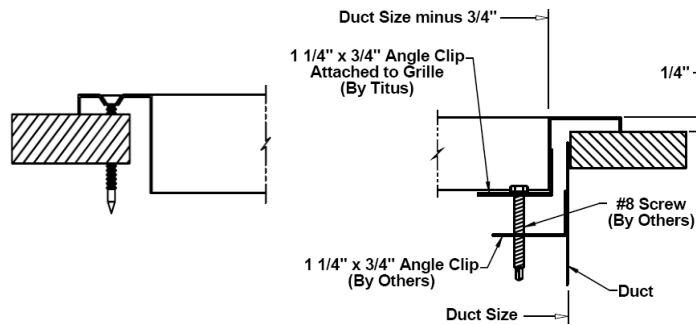
Available Sizes (D" x D")

6" x 4" through 48" x 48" in one piece construction. Sizes larger than 48" x 48" are shipped in multiple sections. Odd and fractional sizes are available at additional cost. Note: Wall or duct opening should be duct size  $\pm 1/8"$ . All dimensions are in inches.

### Fastenings

Type A • External Screw

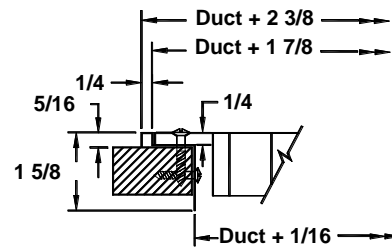
Type C • Concealed Screw



Type A & C available with Border Type 1 only. Type C available with damper.

### Mounting Frames

PF • Steel Plaster Frame



#### Recessed Mounted Example

Note: Plaster frame can be installed as either surface mount or recessed. Note: Dimensions are in inches. Wall or duct opening should be duct sizes  $+ 1/8"$ .

Accessories (Optional) Check  if provided.

- Neck mounted opposed blade damper (galvanized steel)
  IS • Insect Screen (1/16" square mesh – galvanized steel)
- EQT • Earthquake Tabs
  DS • Debris Screen (1/4" square mesh – galvanized steel)
- Other: \_\_\_\_\_

Standard Finish: #26 White

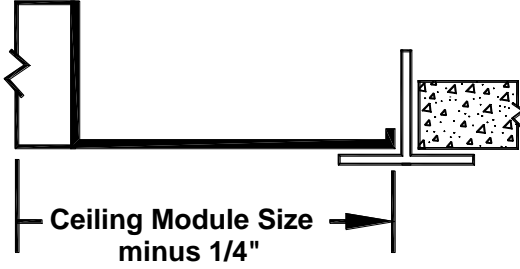
Other Finish: \_\_\_\_\_

### General Description

- #8 x 1 1/4 lg. Phillips flat head sheet metal screws painted white.
- Optional opposed blade damper has screwdriver adjustment accessible through face of grille.
- Material: Steel border with Aluminum grid.
- All dimensions are  $\pm 1/16"$ .

## Optional Border Types Available

- Border Type 3 (Lay-in)  
Panel Mounted



Available in all standard module sizes with most neck sizes up to module size minus 4" with panel mounting.

**Module size minus 2 available without panel mounting.**

### Border Type 3

#### • Accessories & Options

Check  if provided.

- Neck mounted opposed blade damper (galvanized steel)
- IS • Insect Screen (1/16" square mesh – galvanized steel)
- DS • Debris Screen (1/4" square mesh – galvanized steel)
- EQT • Earthquake tabs
- Other: \_\_\_\_\_

Standard Finish: #26 White