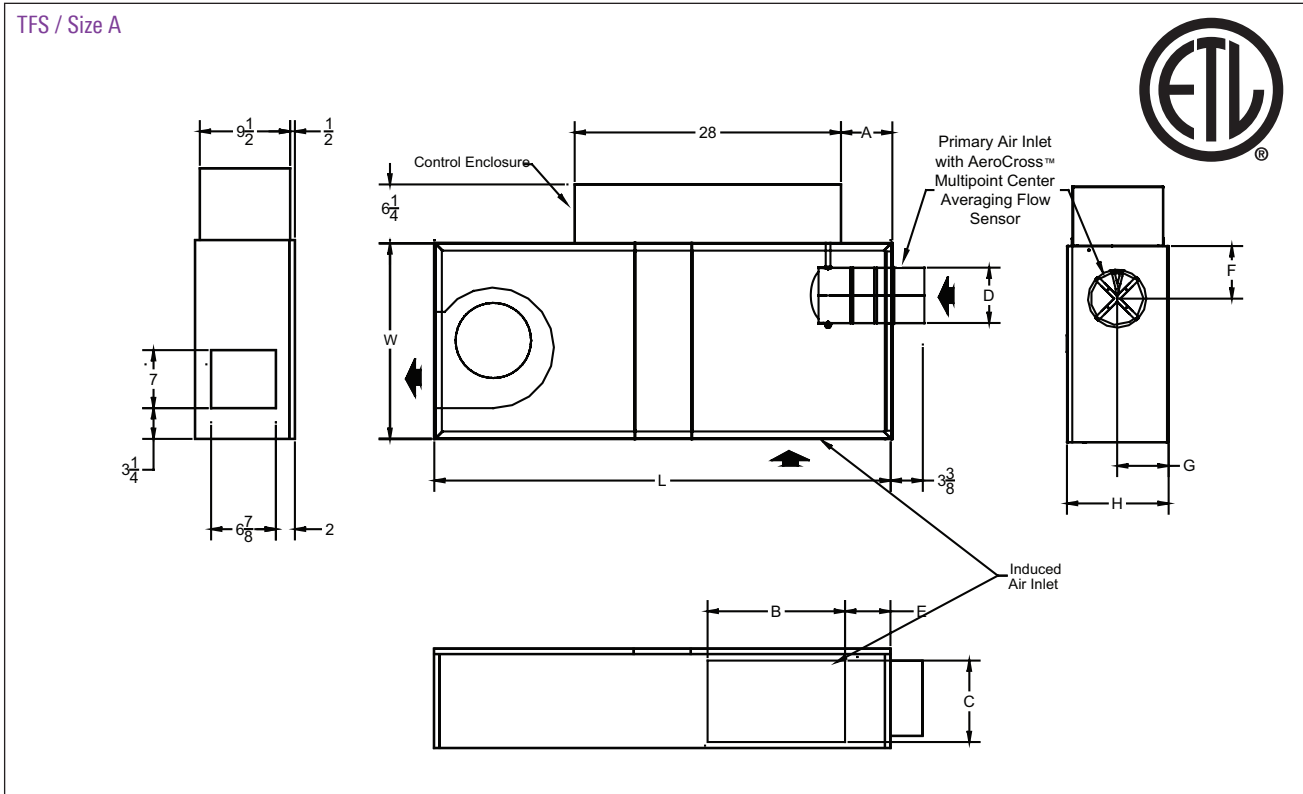


TFS-A UNIT DIMENSIONS

TFS / Size A



Unit Size	Inlet Size	A	B	C	D	E	F	G	H	L	W	Filter Size
A	6" Diameter	6	14	8	5 7/8	3	5 5/8	5 1/4	10 1/2	48	21	10 x 16

DIMENSIONS

fan powered terminals

HOT WATER COIL SECTION

STANDARD FEATURES

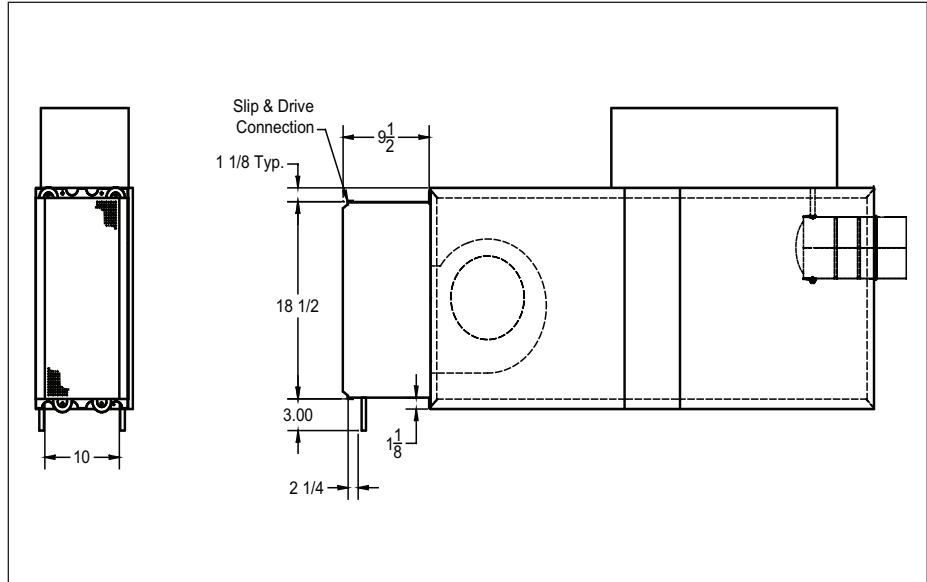
- 1/2" copper tubes
- Aluminum ripple fins, 10 per inch
- Connections: Male solder 5/8" for both 1- and 2-row. Left or right hand connections.
- Galvanized steel casing
- Flanged duct connection
- Coil is installed at discharge of unit

COIL ROWS

- 1-Row
- 2-Row

SUPPLY VOLTAGE

- 120V, 1 ph, 60 Hz.
- 208/240V, 1 ph, 60 Hz.
- 277V, 1 ph, 60 Hz.



ELECTRIC COIL SECTION

STANDARD FEATURES

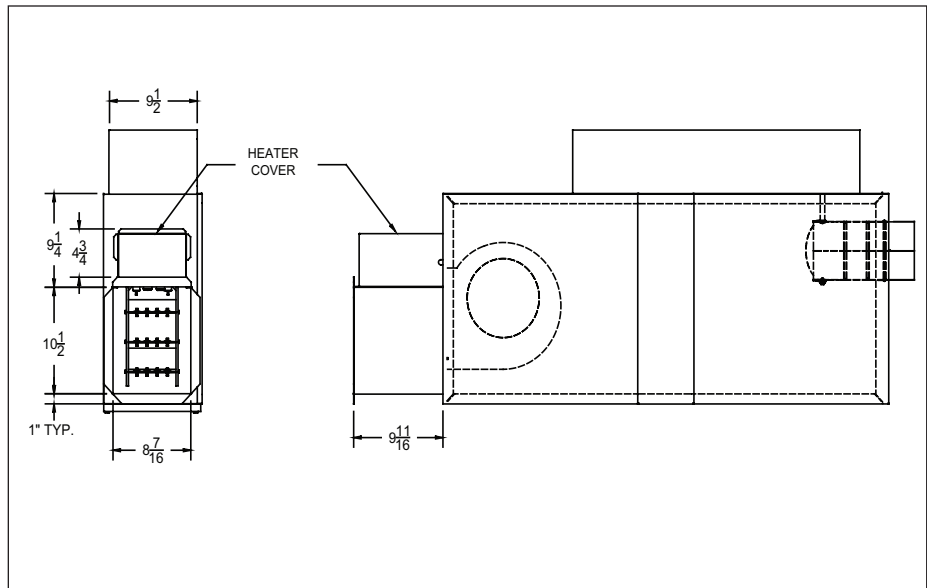
- Auto reset thermal cutouts (one per element)
- Single point electrical connection for entire unit
- Positive pressure flow switch
- Transformer

OPTIONS

- Fuse Block
- Disconnect switch, door interlock type
- Manual reset cutout

SUPPLY VOLTAGE

- 208V, 1 ph, 60 Hz.
- 240V, 1 ph, 60 Hz.
- 277V, 1 ph, 60 Hz.
- 208V, 3 ph, 60 Hz.
- 480V, 3 ph, 60 Hz. (4 wire wye only)



ADDITIONAL ACCESSORIES

(OPTIONAL)

- Induced air filter, 1" thick disposable construction type
- Fan disconnect switch (not available on units with optional electric coils)
- Fibre-Free Liner
- Fan unit fusing
- Hanger brackets
- Camlocks on fan access door
- EcoShield Liner

		Electrical Data		
Unit Size	Motor HP	120V	208/240/1/60V	277/1/60V
		FLA	FLA	FLA
A	1/10	1.3	0.6	0.5

All motors are single phase, 60(Hz).
 FLA = Full Load Amperage, as tested in accordance with UL 1995.
 All fan motors are same voltage as electric coil (when supplied), with exception that 277V motors are used with 480V 3 Phase coils (four wire wye).
 For ECM electrical data see page N27